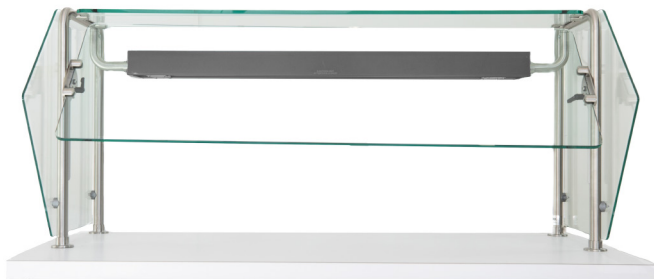




# HELIOS®

See the light and feel the warmth of Helios®, BSI's new heat and light serving solution designed for E-Series food guards. Developed with durability and value in mind, Helios is an excellent choice for high-volume dining facilities that demand reliable, long-lasting operability at an affordable price.

Helios heat and light units were engineered to accent the distinctive E-Series bent tube food guard construction while offering superior safety for customers and employees alike. The high-profile mounting and slim design of Helios reduce reach-in obstructions while the heat-reducing, insulated housing results in a lower touch temperature. These built-in safety features minimize operational hazards while promoting food safety.



## FEATURES:



LED Lights



Warmers



## BENEFITS:

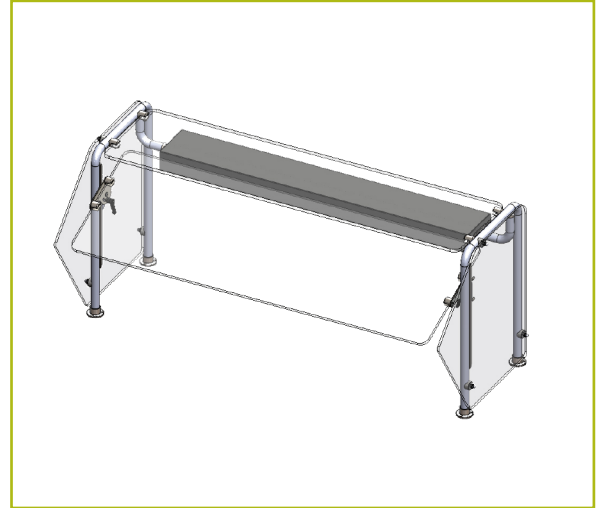
- Made in the USA to eliminate extensive lead times and assure product quality.
- Insulated housing is specially engineered to lower touch temperature and reduce burn hazards.
- Sleek, subtle design blends with the overall aesthetic of E-Series food guards and makes your menu selections the center of attention.



**E-SERIES**

# HELIOS®

Lights & Warmers



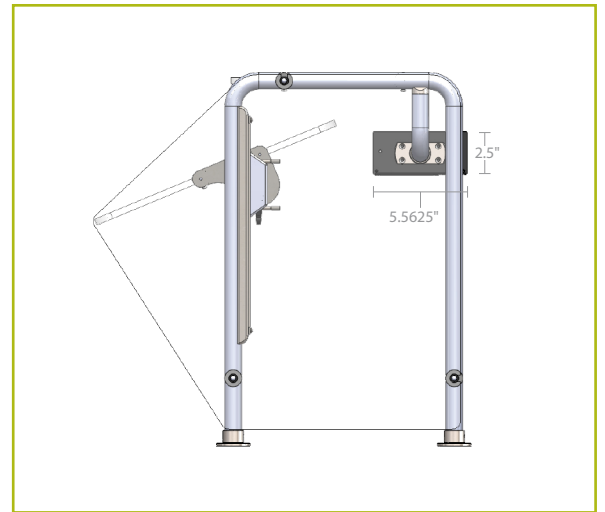
## HOUSING FINISH:

- Steel Gray Pearl

## AVAILABLE WIDTHS:

- 24"
- 30"
- 36"
- 42"
- 48"
- 54"
- 60"
- 66"
- 72"

*Specifications subject to change without notice.*



Helios® heat & light combo unit shown on E-Series AdjustaGuard food shield.

Specifications subject to change without notice.



110.24